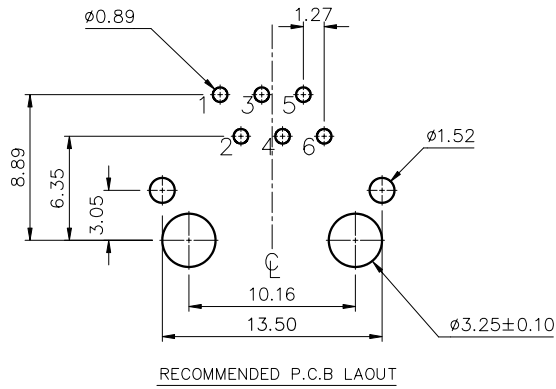
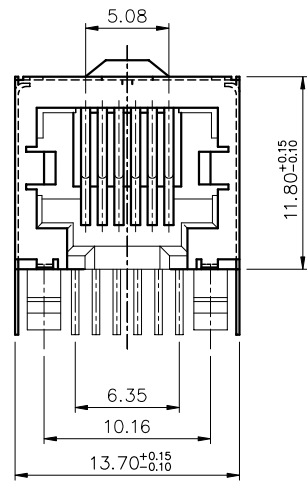
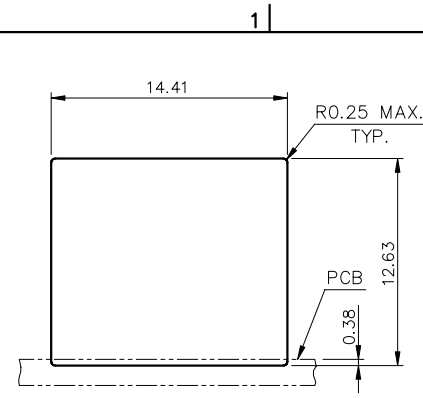


Tous droits strictement réservés. Reproduction ou communication a des tiers int sous quelque forme que ce soit sans autorisation écrite du propriétaire. Property of a BERG ELECTRONICS. Droits de reproduction BERG ELECTRONICS by

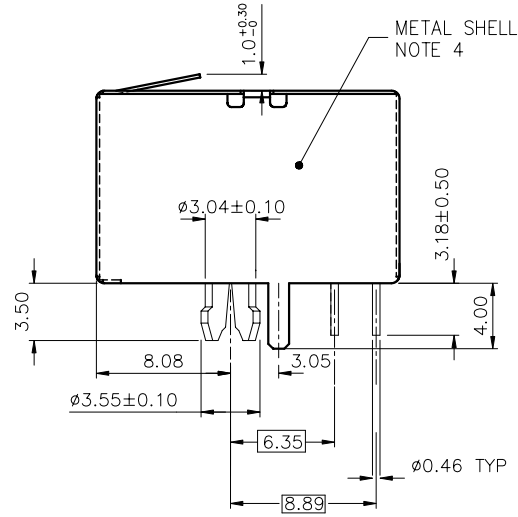
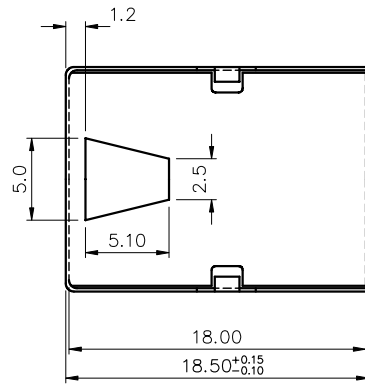
All rights strictly reserved. Reproduction or issue to third parties in any for whatever is not permitted without written authority from the proprietor. Property of a BERG ELECTRONICS. Copyright BERG ELECTRONICS by

FCI

RECOMMENDED PANEL CUT-OUT

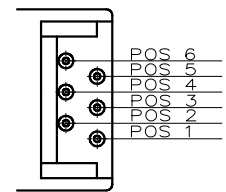


RECOMMENDED P.C.B LAOUT



METAL SHELL NOTE 4

POS. NO. CONFIGURATION



PRODUCT NO	NUMBER OF POS.	LOADED POSITION	HSG COLOR	PLATING
61885-0661	6	ALL POS.	BLACK	304 " G.X.T.
61885-0641		2,3,4,5		
61885-0621		3,4		
61885-0661LF		ALL POS.		
61885-0641LF		2,3,4,5		
61885-0621LF		3,4		

LEAD FREE PRODUCT NO.

NOTES:

- RECOMMENDED P.C.B. THICKNESS 1.60 MM
- HOUSING MAT'L: NYLON 66, 25% GLASS REINFORCED, COLOR: SEE TABLE
- CONTACTS: PHOS BRONZE ALLOY UNS-C51000, Ø 0.460 ROUND WIRE, PLATING SEE TABLE.
- METAL SHELL MATERIAL: COPPER ALLOY, 0.2MM THICK. FINISH: FOR 61885-XXXX TIN-LEAD 100u" THICK . FOR 61885-XXXXLF PURE TIN 80u" THICK .
- PACKAGING PER GES-14-361, USING TUBE
- IF LF P/N THE PRODUCT MEETS EUROPEAN UNION DIRECTIVES AND OTHER COUNTRY REGULATIONS AS DESCRIBED IN GS-22-008
- IF LF P/N THE HOUSING WILL WITHSTAND EXPOSURE TO 260°C PEAK TEMPERATURE FOR 10 SECONDS IN A WAVE SOLDER APPLICATION WITH A 1.60mm MINIMUM THICK CIRCUIT BOARD
- IF LF P/N PACKAGING MEETS GS-14-920 SPECIFICATION

mat'l code		tolerance unless otherwise specified		CUSTOMER COPY		FCI		www.fciconnect.com		
rev.	ecn no.	dr	date	linear	.0 ± 0.25	projection	title	LOW PROFILE PCB III 6 POS MOD JACK, FULLY SHIELDED		
A	T70292	C	L 10/08/97		.00 ± 0.13			product family MOD JACK code		
B	T80057	CHY	L 02/11/98	angles	.000± 0.05			size dwg no.		TWN
C	T80510	M	W 11/18/98		± 2'	scale		61885	sheet 1 OF 1	
D	T03-0443	W	L 10/06/03	dr	C M HSU 03/27/97	unit	product family MOD JACK code		TWN	
E	N04-0125	YS	12/15/04	enrg	TONY CHIEN 03/27/97	mm/inch	size dwg no.		1 OF 1	
				chr	TONY CHIEN 03/27/97	scale	61885			
				appd	JENN TSAO 03/27/97	3 : 1	A3			
sheet	revision									
index	sheet	E								